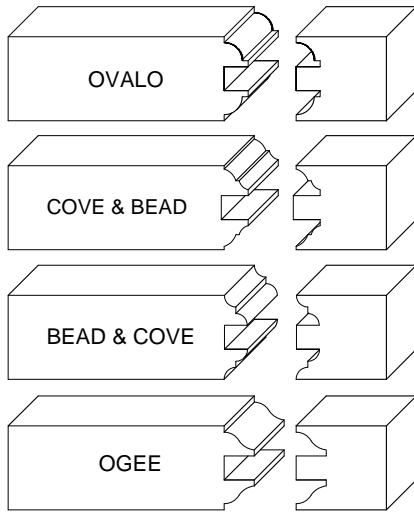


671 BANGOR ROAD
 NAZARETH, PA 18064

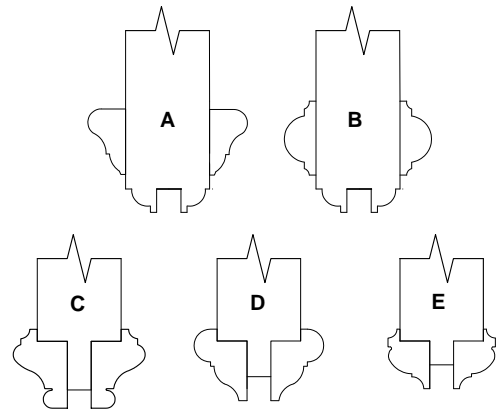


PHONE 610-759-1753
 FAX 610-746-4708
 www.starkemillwork.com

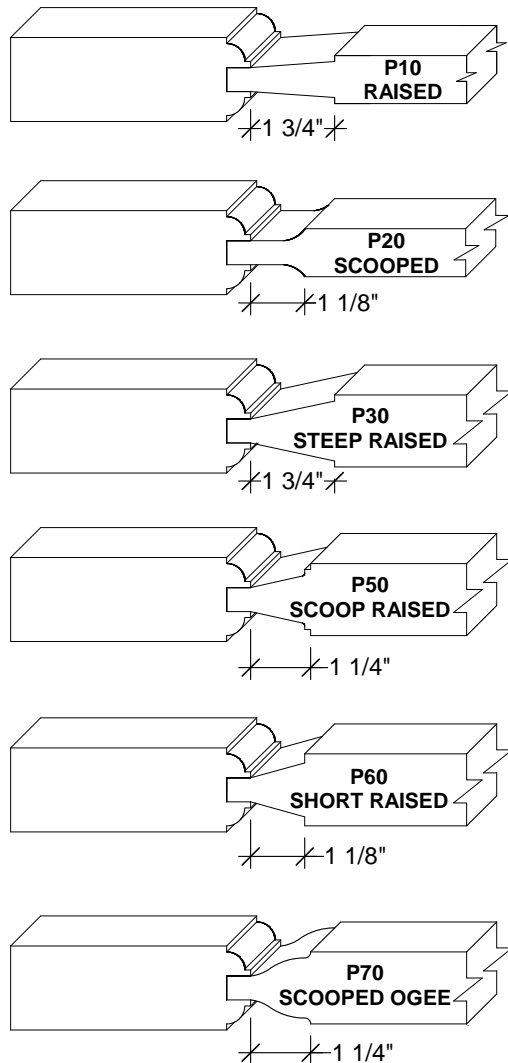
STANDARD STILE AND RAIL STICK AND COPE



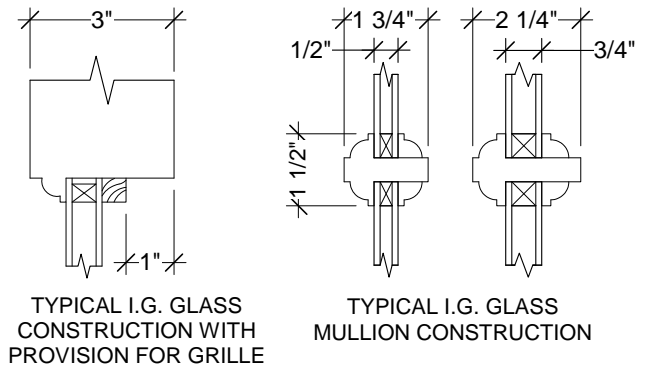
TYPICAL BOLECTION MOULDING CONFIGURATIONS



**STANDARD PANEL PROFILES
 PANEL THICKNESS VARIES PER DOOR THICKNESS**

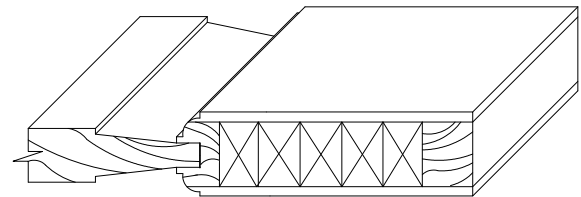


**TYPICAL CONSTRUCTION DETAILS
 (NOT AVAILABLE WITH ALL PANEL/STILE PROFILES)**

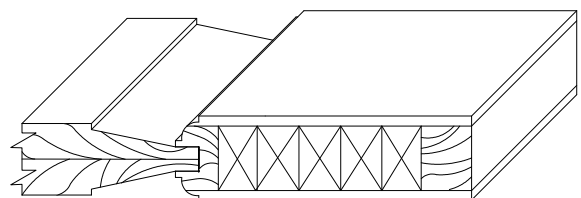


TYPICAL I.G. GLASS
 CONSTRUCTION WITH
 PROVISION FOR GRILLE

TYPICAL I.G. GLASS
 MULLION CONSTRUCTION



TYPICAL SINGLE PANEL STAVE CORE CONSTRUCTION



TYPICAL DOUBLE PANEL STAVE CORE CONSTRUCTION